



DENALI Plow Mount MA11760 Arctic Cat Prowler

Thank you for purchasing our DENALI plow mount. You now own a premium custom plow mount to allow you to use your plow with your SxS. Please note the following instructions and heed all warnings.

- Your UTV/SxS and/or plow system can cause death or injury, please use caution and common sense when operating your unit.
- Read your Plow Operator Manual, your Winch Operator Manual, and all warning labels before operating your UTV/SxS.
- Operate your UTV/SxS at a walking speed with the blade installed. Do not exceed 5 mph (8 km/h), even with the blade up.
- Do not operate the UTV/SxS on slopes greater than 10 degrees with the plow installed.
- Always lower the plow to the down position before leaving your UTV/SxS unattended.

SEVERE INJURY OR DEATH MAY RESULT IF YOU ARE NEGLIGENT.

Please see our installation Video: <https://youtu.be/h8apQgMMdCI>

Please verify that all hardware and parts are included in your package.

Kit Contents:

Item Number	Quantity	Part Number
1	1	MA11760 Plow Mount
2	2	Rear Buckle
3	4	3/8" x 1" Serrated Flange Bolt
4	2	7/16" x 3" x 2" Square U-bolt
5	4	7/16" Nylock Nut
6	4	7/16" Flat Washer

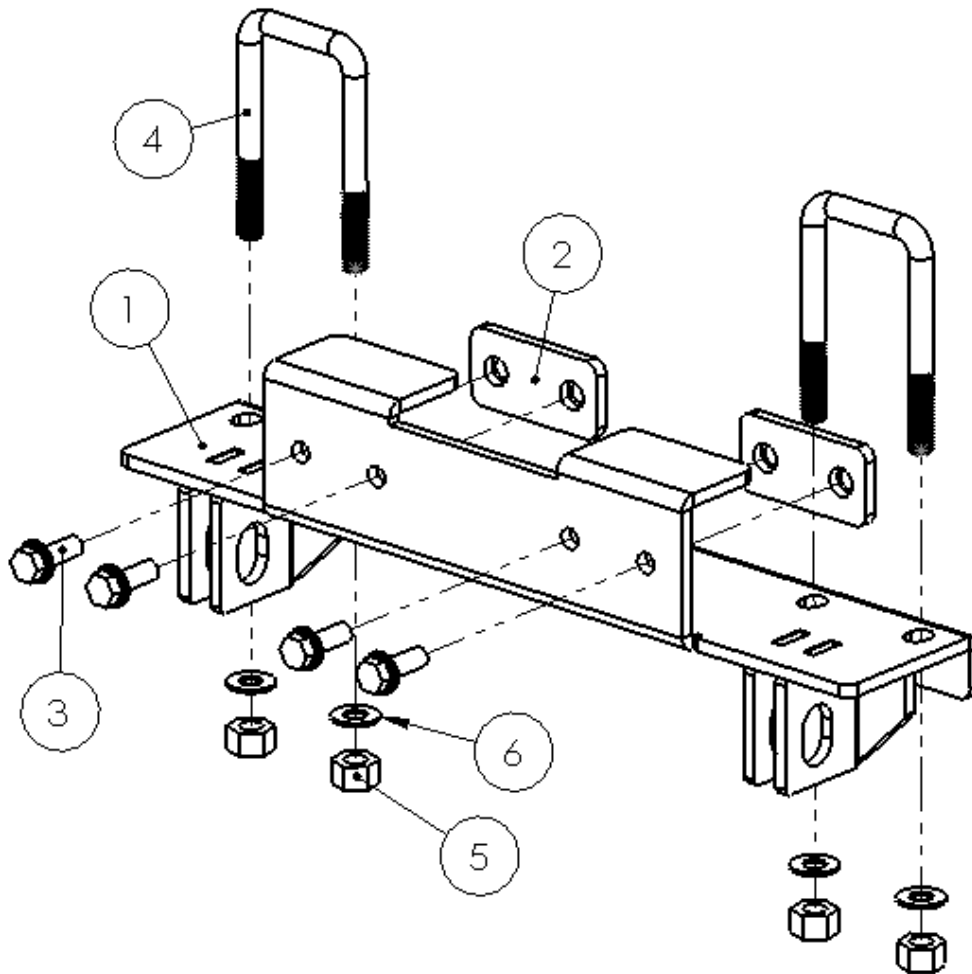


Figure 1

Arctic Cat Prowler Installation Instructions

1. From the undercarriage of the Prowler, remove the front two screws that secure the plastic underbody to the front end of the vehicle.



Figure 2

2. Push the mount plate over the front frame crossbar until it is pressed firmly against the frame.



Figure 3

3. Insert the two Rear Buckles included in the mount kit behind the front frame crossbar and secure with the 3/8" x 1" Serrated Flange Bolts.

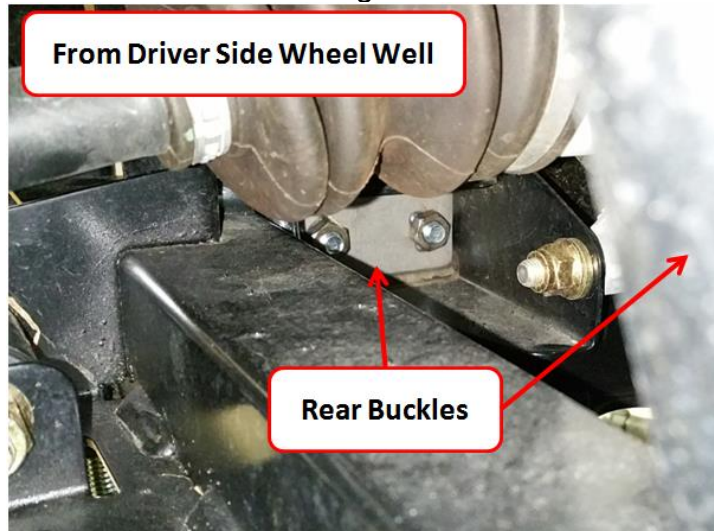


Figure 4

4. Drill out the underbody plastic behind the two inside plow mount holes using a 7/16" drill bit as shown in Figure 5.

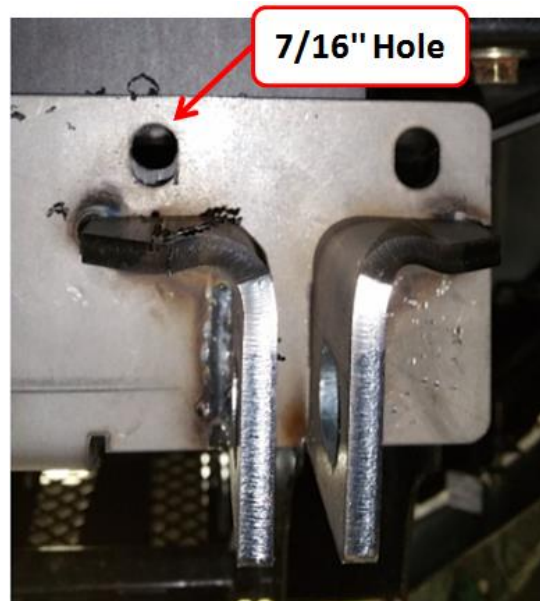


Figure 5

5. Insert the included 7/16" Square U-bolts from the top of the Prowler frame and secure with the included 7/16" washers and nuts.